

TUBE 60



Round surface mounted or suspended luminaire with lens optics. Top quality COB LED module with colour consistency MacAdams ≤ 3 , extensive portfolio of lumen ranges, CCTs and spectra. Variety of drivers: standard EVG on/off, DALI and wireless controlled as MasterConnect or Casambi on request. Remote, wireless occupancy & daylight sensor available to allow significant energy savings and wireless connectivity. Mounting on any type of ceiling. Body is made of aluminium tube. Standard colour RAL 9003S, any other colour from basic RAL range available at no extra cost. Variety of lengths, optics, lumen outputs and drivers allows to use this luminaire in different types of lighting projects.

Luminous flux & Luminaire Power tolerance up to 10%. System power consumption depends on components used. Luminous efficacy depends on type of LED's, electronics, optics and diffusor. The most up to date technical parameters can be found on our website and in database of LDT files.

Lighting direction:



PDF datasheet:



TUBE 60

| | |
|-------------------------------------|--|
| Mounting: | Surface mounted / Suspended |
| Body material: | Aluminium tube |
| Colour: | Standard white RAL 9003S, other RAL colours on request |
| Lumen output: | Standard up to 1500 lm, any other on request |
| LED module: | Signify (Philips), Tridonic or equivalent COB LED modules |
| Colour temperature: | 2700/3000/4000K, other on request |
| Colour Rendering: | CRI>80 in standard, other on request |
| Driver: | EVG on-off/DALI/MC (MasterConnect)/Casambi, other on request |
| Wireless control: | Philips MasterConnect / Casambi, other on request |
| Daylight/Occupancy sensor: | Wireless MCS sensor |
| Emergency unit: | N/A |
| Operating temperature range: | 0°C ... +35°C |
| IP Class: | IP20 in standard |
| Power: | 220-240V 50/60Hz |
| Lighting direction: | Direct lighting |
| Light distribution: | Symmetric |
| Optics: | Lens |
| Beam angle: | 15°/26°/36°/60°/ZOOM 15°-45° |
| Warranty: | 5 Years standard warranty |

TUBE 60 surface mounted, light down

TUBE 60 PND suspended, light down

TUBE 60 L PND suspended, light down / long tube

All current index numbers, lumen outputs, power consumption and many other technical information are available in our 2024 pricelist. Details on wireless lighting control systems on page number 896.



Energy saving MasterConnect wireless lighting control system with daylight and movement detection technology on request.



TUBE 60 PND



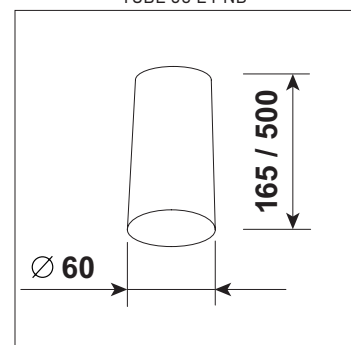
TUBE 60 L PND



MCS wireless daylight & occ sensor



XCS wireless switch



Basic dimensions